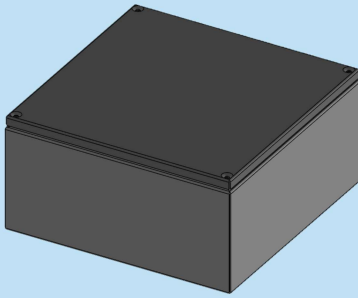


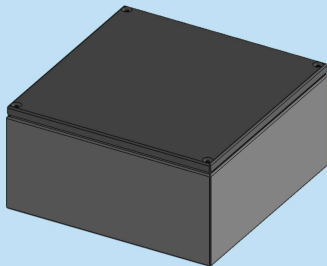
::STAINLESS STEEL TERMINAL BOXES - WITH MOUNTING RAILS



ORDER NO AISI 304	ORDER NO AISI 316	TYPE	DESCRIPTION	DIMENSIONS (WxHxD)mm	THICKNESS	QTY
771 100	771 500	SSTNB1.5.1.5-80	Stainless Steel Terminal Box with MR	150x150x80	1.0mm	01
771 102	771 502	SSTNB1.5.3-80	Stainless Steel Terminal Box with MR	150x300x80	1.0mm	01
771 104	771 504	SSTNB2.2-80	Stainless Steel Terminal Box with MR	200x200x80	1.0mm	01
771 106	771 506	SSTNB2.3-80	Stainless Steel Terminal Box with MR	200x300x80	1.0mm	01
771 120	771 520	SSTNB1.5.1.5-120	Stainless Steel Terminal Box with MR	150x150x120	1.2mm	01
771 122	771 522	SSTNB1.5.3-120	Stainless Steel Terminal Box with MR	150x300x120	1.2mm	01
771 124	771 524	SSTNB1.75.1.75-120	Stainless Steel Terminal Box with MR	175x175x120	1.2mm	01
771 126	771 526	SSTNB2.2-120	Stainless Steel Terminal Box with MR	200x200x120	1.2mm	01
771 128	771 528	SSTNB2.3-120	Stainless Steel Terminal Box with MR	200x300x120	1.2mm	01
771 130	771 530	SSTNB2.4-120	Stainless Steel Terminal Box with MR	200x400x120	1.2mm	01
771 132	771 532	SSTNB3.3-120	Stainless Steel Terminal Box with MR	300x300x120	1.2mm	01

Above SS Terminal Box consists of cabin, Cover with screws & Mounting Rails.

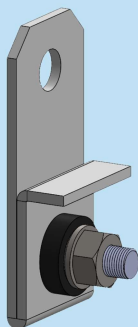
::STAINLESS STEEL TERMINAL BOXES - WITH MOUNTING PLATE



ORDER NO AISI 304	ORDER NO AISI 316	TYPE	DESCRIPTION	THICKNESS	DIMENSIONS (W)mm	QTY
771 200	771 600	SSTNB1.5.1.5-80	Stainless Steel Terminal Box With MP	1.0mm	150x150x80	01
771 202	771 602	SSTNB1.5.3-80	Stainless Steel Terminal Box With MP	1.0mm	150x300x80	01
771 204	771 604	SSTNB2.2-80	Stainless Steel Terminal Box With MP	1.0mm	200x200x80	01
771 206	771 606	SSTNB2.3-80	Stainless Steel Terminal Box With MP	1.0mm	200x300x80	01
771 220	771 620	SSTNB1.5.1.5-120	Stainless Steel Terminal Box With MP	1.2mm	150x150x120	01
771 222	771 622	SSTNB1.5.3-120	Stainless Steel Terminal Box With MP	1.2mm	150x300x120	01
771 224	771 624	SSTNB1.75.1.75-120	Stainless Steel Terminal Box With MP	1.2mm	175x175x120	01
771 226	771 626	SSTNB2.2-120	Stainless Steel Terminal Box With MP	1.2mm	200x200x120	01
771 228	771 628	SSTNB2.3-120	Stainless Steel Terminal Box With MP	1.2mm	200x300x120	01
771 230	771 630	SSTNB2.4-120	Stainless Steel Terminal Box With MP	1.2mm	200x400x120	01
771 232	771 632	SSTNB3.3-120	Stainless Steel Terminal Box With MP	1.2mm	300x300x120	01

Above SS Terminal Box consists of cabin, Cover with screws & Mounting Plate

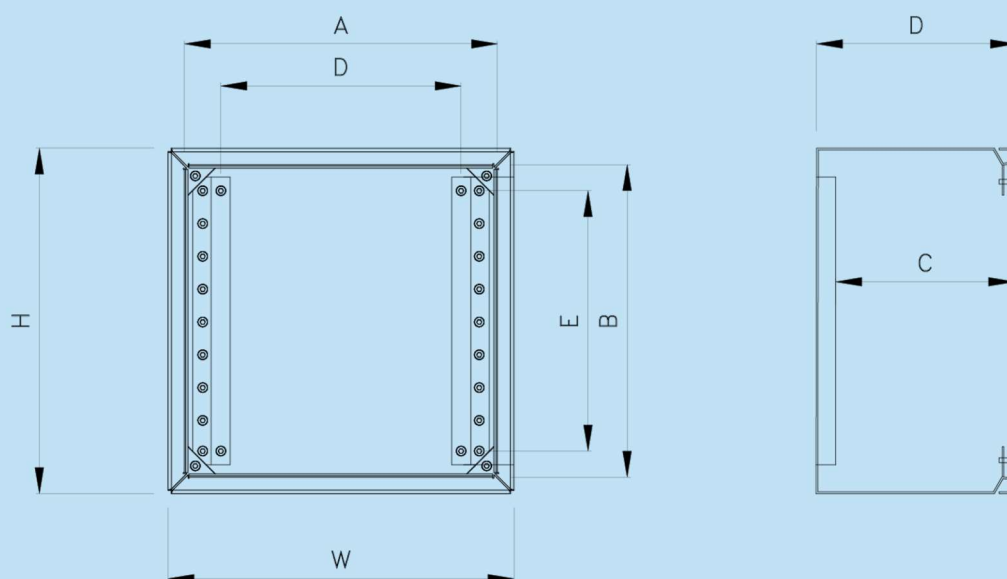
::WALL MOUNTING BRACKET - STAINLESS STEEL TERMINAL BOX



ORDER NO AISI 304	ORDER NO AISI 316	TYPE	DESCRIPTION	QTY
773 990	773 993	WMB-TNB	Wall Mounting Bracket - Stainless Steel Terminal Box	01 Set

Qty : 1Set = 4Pcs

::INSTRUCTIONS



ORDER NO	SIZE	W	H	D	a	b	c	d	e
770 100	150x150x80	150	150	80	125	125	65	100	75
770 102	150x300x80	150	300	80	125	275	65	100	225
770 104	200x200x80	200	200	80	175	175	65	150	125
770 106	200x300x80	200	300	80	175	275	65	150	255
770 120	150x150x120	150	150	120	125	125	105	100	75
770 122	150x300x120	150	300	120	125	275	105	100	225
770 124	175x175x120	175	175	120	150	150	105	125	100
770 126	200x200x120	200	200	120	175	175	105	150	125
770 128	200x300x120	200	300	120	175	275	105	150	225
770 130	200x400x120	200	400	120	175	375	105	150	325
770 132	300x300x120	300	300	120	275	275	105	250	225

